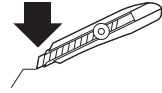
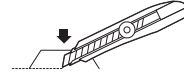




HAPPY COMPUTER ICON STAND ASSEMBLY INSTRUCTIONS

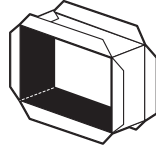
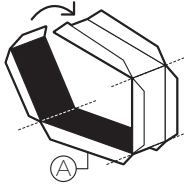


USE A PAPER CUT KNIFE TO CUT OUT ALL ELEMENTS

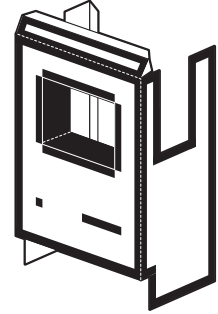
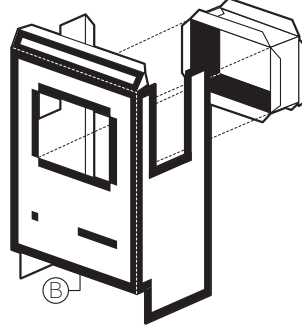


PUSH THE PAPER CUT KNIFE SLIGHTLY TO CREATE FOLD LINES

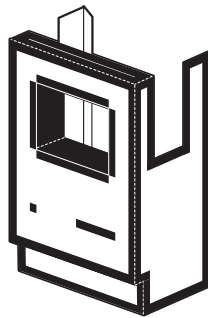
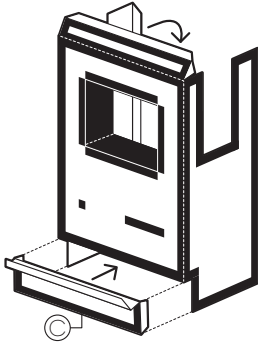
1.



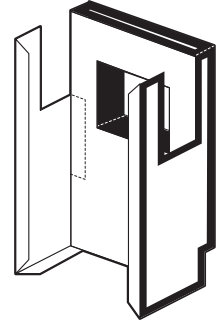
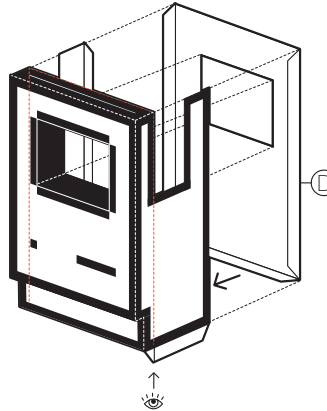
2.



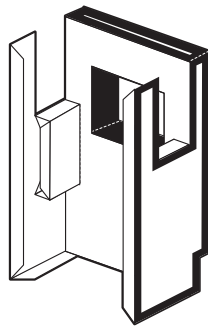
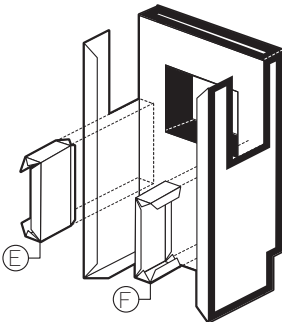
3.



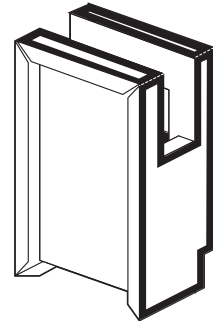
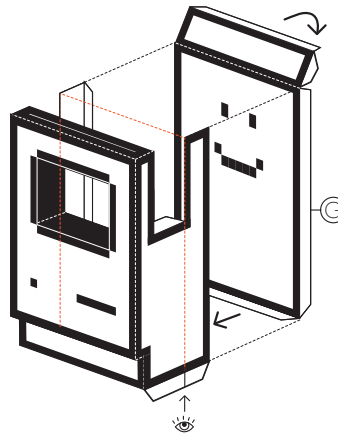
4.



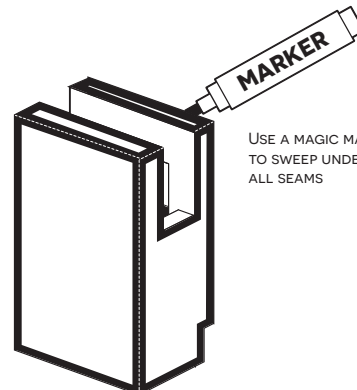
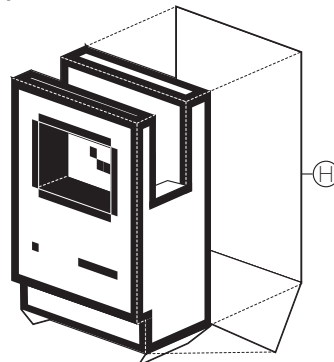
5.



6.



7.



USE A MAGIC MARKER TO SWEEP UNDER THE CARPET ALL SEAMS